

SELLE - BOCCHETTONI - FLANGE

SADDLES - UNIONS - FLANGES

FLANGIA

FLANGE

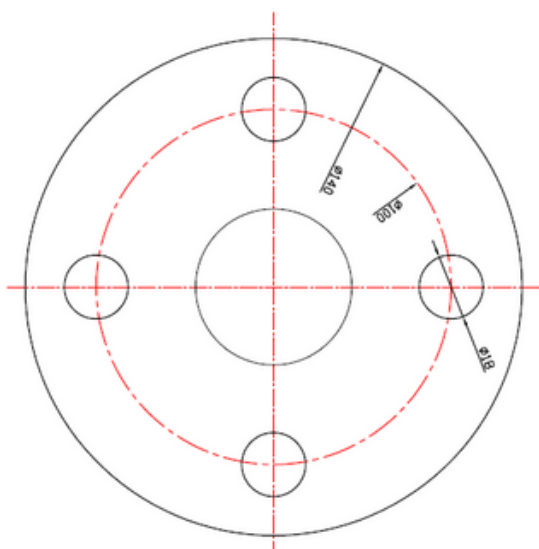
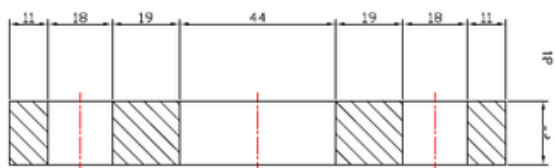


ARTICOLO	MISURE mm	BUTT WELDING - SDR11	
CODE	SIZES mm		
FLG 32	32	FLG 160 T	160
FLG 40	40	FLG 200 T	200
FLG 50	50	FLG 250 T	250
FLG 63	63	FLG 315 T	315
FLG 75	75		
FLG 90	90		
FLG 110	110		
FLG 125	125		
FLG 160	160		

SPECIFICHE TECNICHE

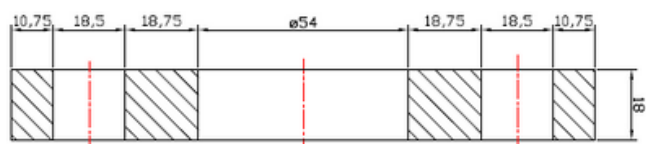
TECHNICAL SPECIFICATIONS

CODE	weight (g)
FLG 32	534

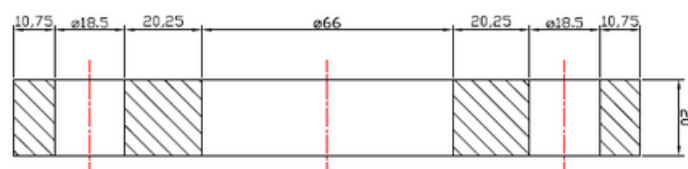
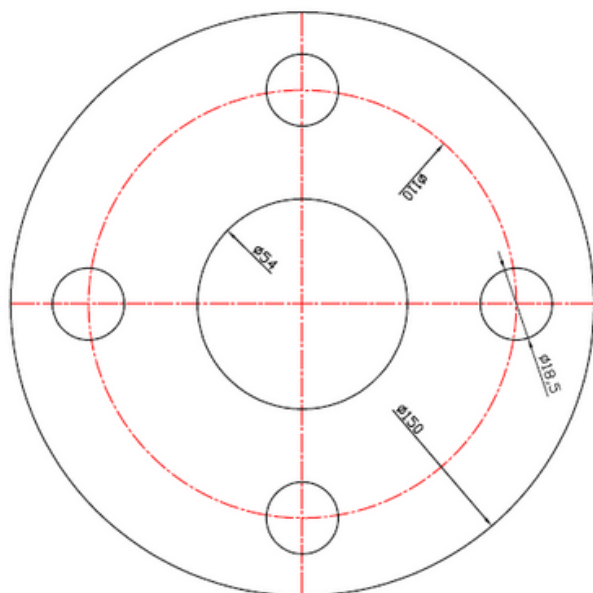


SELLE - BOCCHETTONI - FLANGE

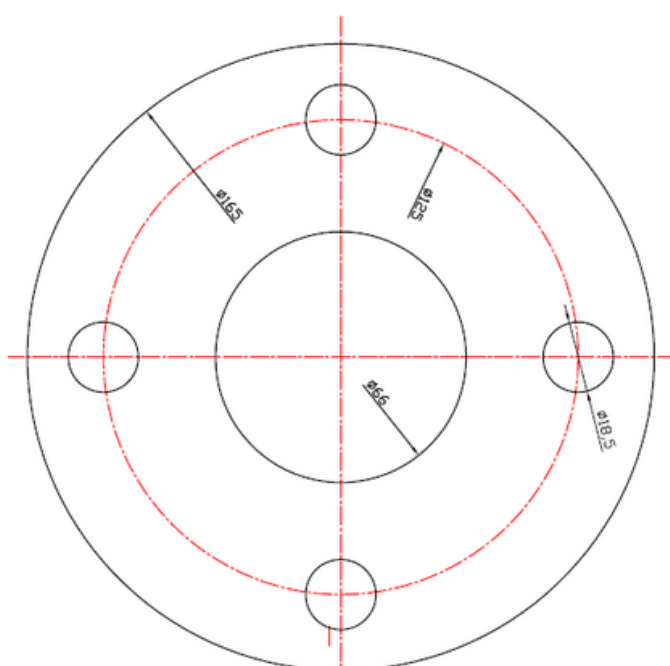
SADDLES - UNIONS - FLANGES



CODE	weight (g)
FLG 40	618



CODE	weight (g)
FLG 50	708

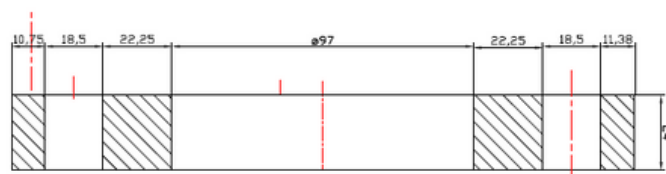
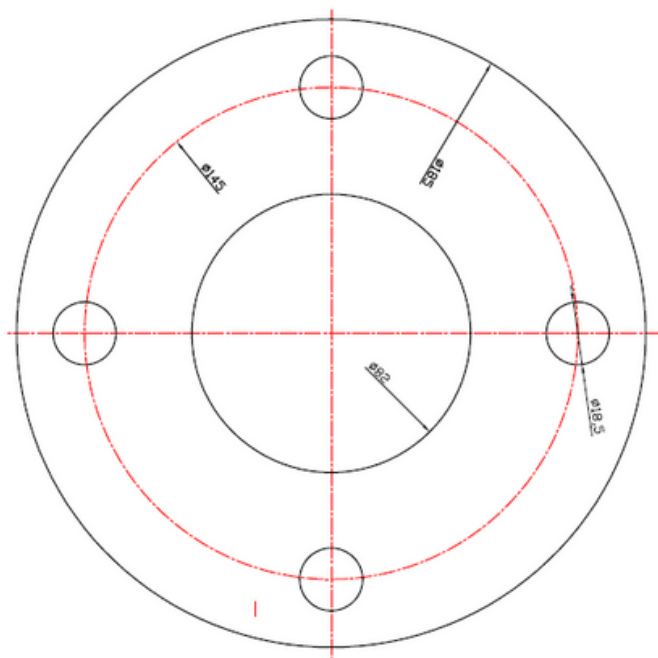


SELLE - BOCCHETTONI - FLANGE

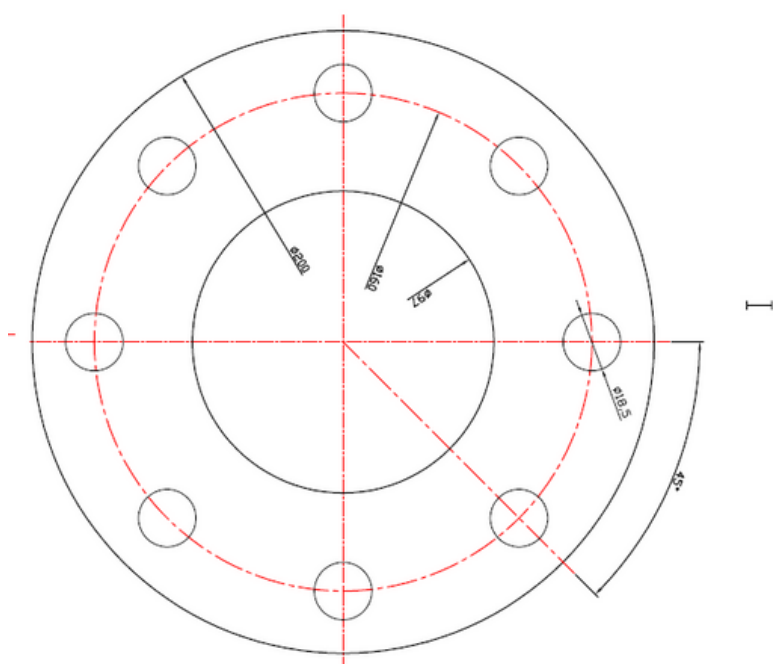
SADDLES - UNIONS - FLANGES



CODE	weight (g)
FLG 63	844

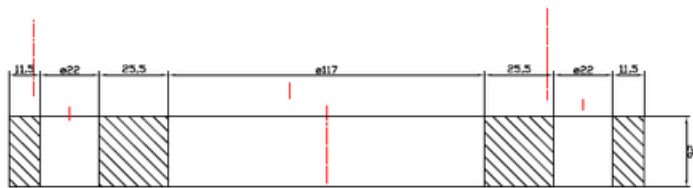


CODE	weight (g)
FLG 75	1014

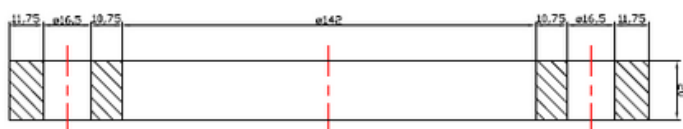
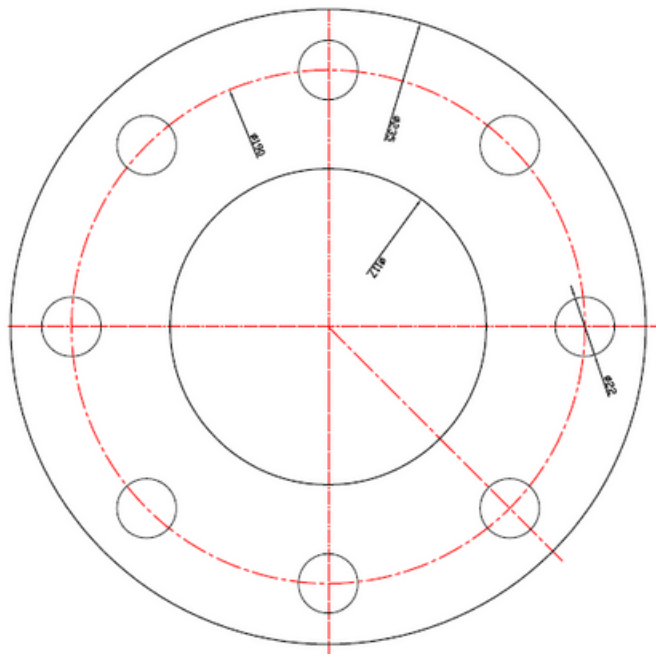


SELLE - BOCCHETTONI - FLANGE

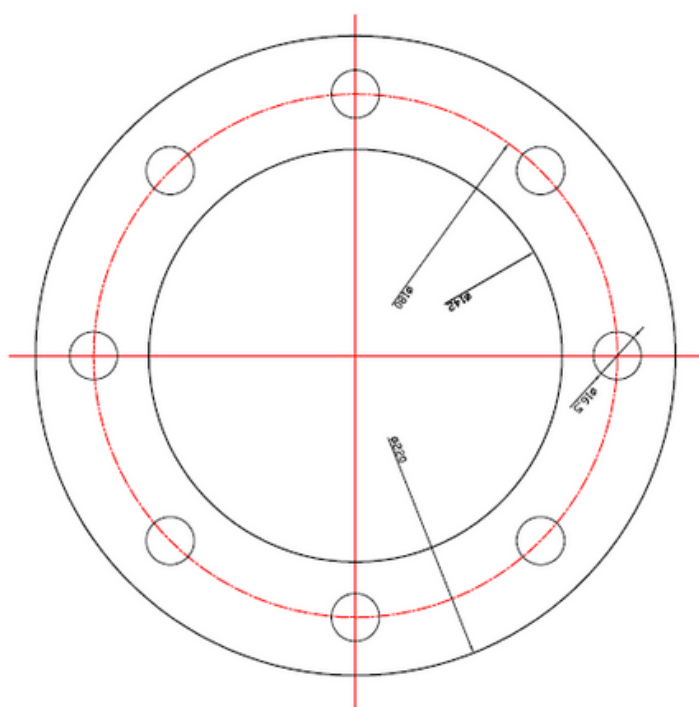
SADDLES - UNIONS - FLANGES



CODE	weight (g)
FLG 90	1184



CODE	weight (g)
FLG 110	900

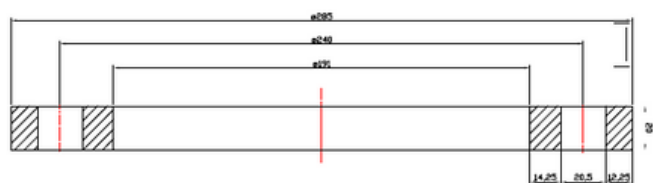
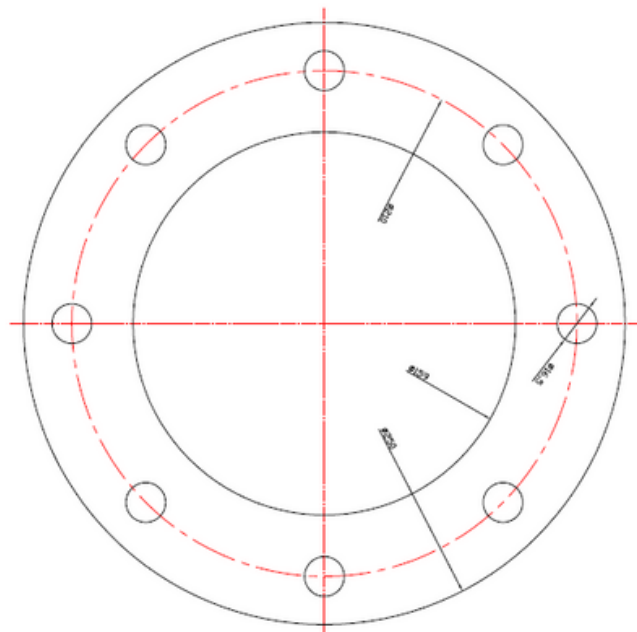


SELLE - BOCCHETTONI - FLANGE

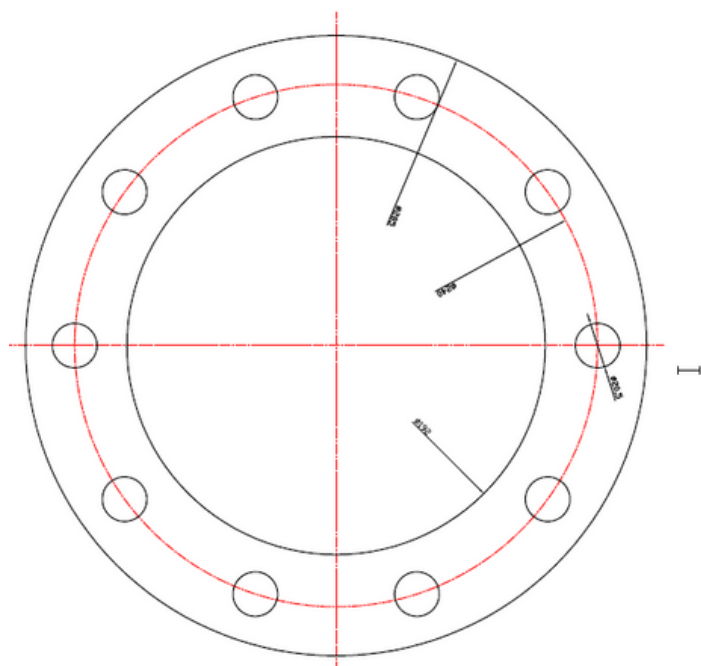
SADDLES - UNIONS - FLANGES



CODE	weight (g)
FLG 125	1300

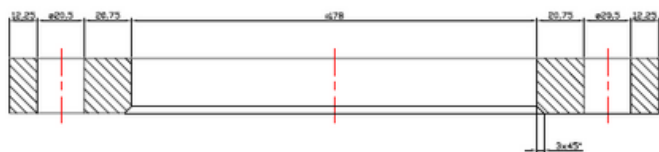


CODE	weight (g)
FLG 160	1500



SELLE - BOCCHETTONI - FLANGE

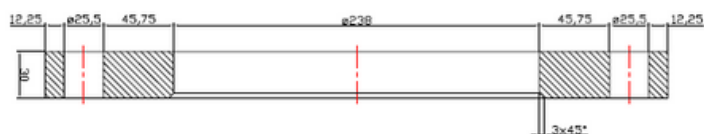
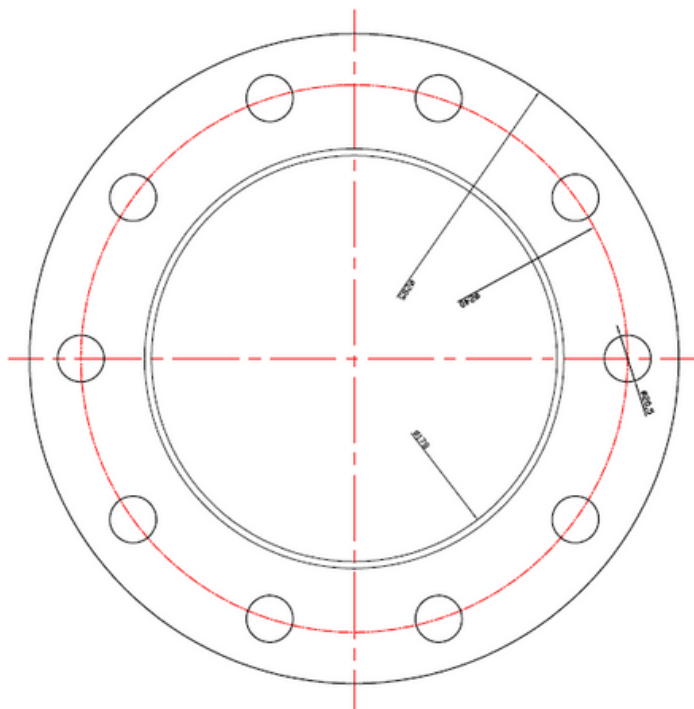
SADDLES - UNIONS - FLANGES



BUTT WELDING

CODE	weight (g)
------	------------

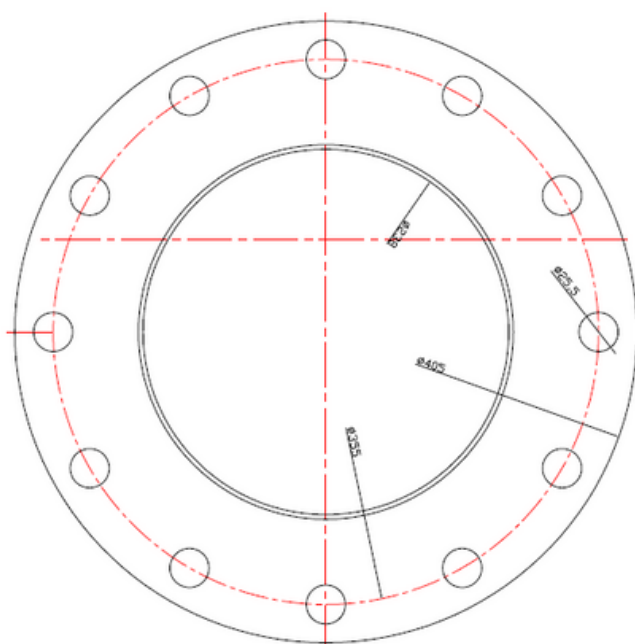
FLG 160T	7800
----------	------



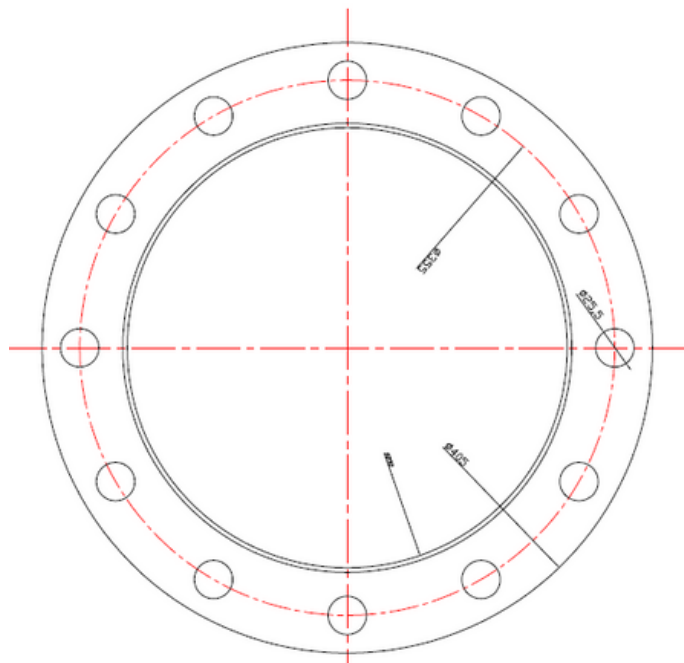
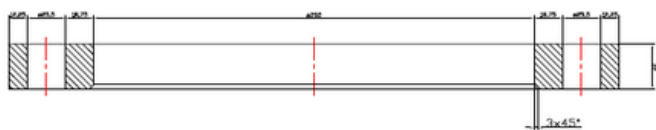
BUTT WELDING

CODE	weight (g)
------	------------

FLG 200T	8600
----------	------



SELLE - BOCCHETTONI - FLANGE SADDLES - UNIONS - FLANGES



BUTT WELDING

CODE	weight (g)
FLG 250T	14100