

RUBINETTO A VITONE CON VOLANTINO

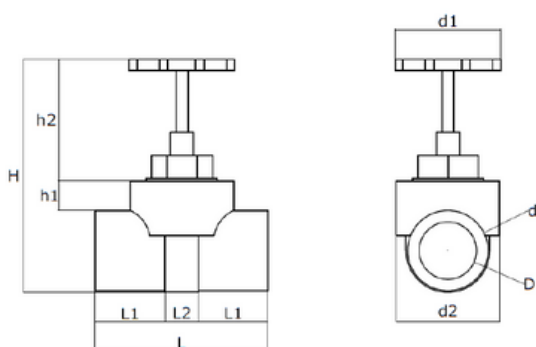
VALVE WITH HANDWHELL



ARTICOLO	MISURE mm
CODE	SIZES mm
RUV 20V	20 x 1/2"
RUV 25V	25 x 3/4"
RUV 32V	32 x 3/4"

SPECIFICHE TECNICHE

TECHNICAL SPECIFICATIONS



CODE	d	D	d ₁	d ₂	L ₁	L ₂	L	h ₁	h ₂	H
RUV 20V	20	30	50	40	28	19	75	10	50	100
	weight (g)									
	160									
CODE	d	D	d ₁	d ₂	L ₁	L ₂	L	h ₁	h ₂	H
RUV 25V	25	35	50	45	30	15	75	13	50	100
	weight (g)									
	200									
CODE	d	D	d ₁	d ₂	L ₁	L ₂	L	h ₁	h ₂	H
RUV 32V	32	44	50	48	40	18	98	10	50	104
	weight (g)									
	244									

Rubineti e valvole TORO 25 sono compatibili con tutte le serie di tubi TORO 25
All TORO 25 taps and valves are compatible with all TORO 25 pipe series

STANDARD:

- ISO 15874
- DIN 8077-78