

RUBINETTO A VITONE CON MANIGLIA

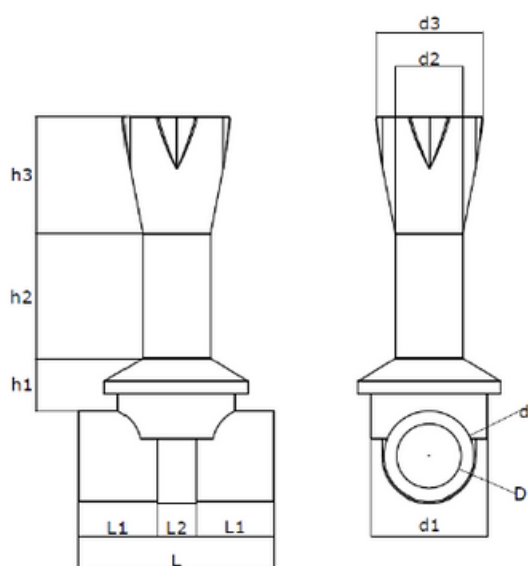
STOPCOCK WITH HANDLE



ARTICOLO	MISURE mm
CODE	SIZES mm
RUV 2020M	20 x 1/2"
RUV 20M	20 x 3/4"
RUV 25M	25 x 3/4"
RUV 32M	32 x 3/4"

SPECIFICHE TECNICHE

TECHNICAL SPECIFICATIONS



CODE	d	D	L ₁	L ₂	L	h ₁	h ₂	h ₃	h ₄	d ₁
RUV 2020M	20	30	28	19	75	14	48	45	11	40
	d₂	d₃	weight (g)							
	27	44	354							
CODE	d	D	L ₁	L ₂	L	h ₁	h ₂	h ₃	h ₄	d ₁
RUV 20M	20	30	28	19	75	14	48	45	15	45
	d₂	d₃	weight (g)							
	27	44	256							
CODE	d	D	L ₁	L ₂	L	h ₁	h ₂	h ₃	h ₄	d ₁
RUV 25M	25	35	30	15	75	14	48	45	13	45
	d₂	d₃	weight (g)							
	27	44	392							
CODE	d	D	L ₁	L ₂	L	h ₁	h ₂	h ₃	h ₄	d ₁
RUV 32M	32	44	40	18	98	14	48	45	10	48
	d₂	d₃	weight (g)							
	27	44	436							

Rubineti e valvole TORO 25 sono compatibili con tutte le serie di tubi TORO 25
 All TORO 25 taps and valves are compatible with all TORO 25 pipe series

STANDARD:

- ISO 15874
- DIN 8077-78