

RUBINETTO A VITONE CON CAPPuccio

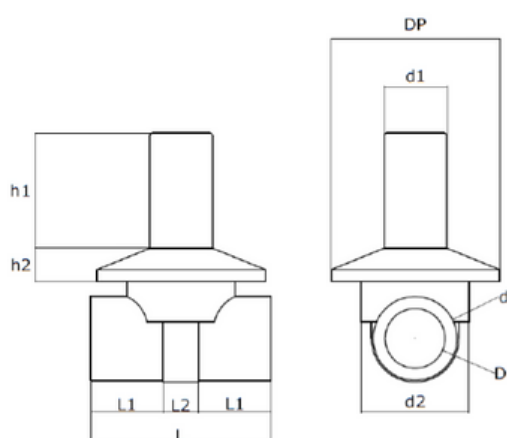
STOPCOCK WITH PLUGGED TUBE



ARTICOLO	MISURE mm
CODE	SIZES mm
RUV 2020	20 x 1/2"
RUV 20	20 x 3/4"
RUV 25	25 x 3/4"
RUV 32	32 x 3/4"

SPECIFICHE TECNICHE

TECHNICAL SPECIFICATIONS



CODE	d	D	d ₁	d ₂	Dp	L ₁	L ₂	L	h ₁	h ₂
RUV 2020	20	30	26	40	70	28	19	75	48	15
	h₃	weight (g)								
	11	220								
CODE	d	D	d ₁	d ₂	Dp	L ₁	L ₂	L	h ₁	h ₂
RUV 20	20	30	26	45	70	28	19	75	48	15
	h₃	weight (g)								
	15	250								
CODE	d	D	d ₁	d ₂	Dp	L ₁	L ₂	L	h ₁	h ₂
RUV 25	25	35	26	45	70	30	15	75	48	15
	h₃	weight (g)								
	13	254								
CODE	d	D	d ₁	d ₂	Dp	L ₁	L ₂	L	h ₁	h ₂
RUV 32	32	44	26	48	70	40	18	98	48	15
	h₃	weight (g)								
	10	296								

I rubinetti TORO 25 sono compatibili con tutte le serie di tubi TORO 25
All TORO 25 electrofusion fittings are compatible with all TORO 25 pipe series

STANDARD:

- ISO 15874
- DIN 8077-78