

### RUBINETTO A SFERA CON MANIGLIA

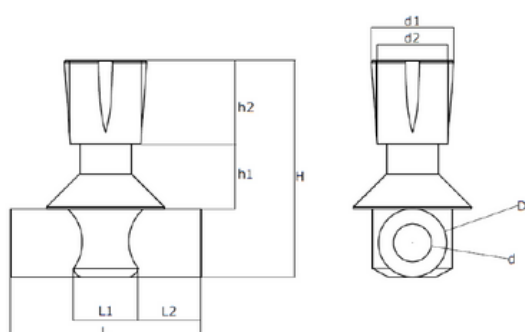
#### COCK BALL WITH HANDLE



ARTICOLO	MISURE mm
CODE	SIZES mm
RUS 20M	20
RUS 25M	25
RUS 32M	32

### SPECIFICHE TECNICHE

#### TECHNICAL SPECIFICATIONS



CODE	d	d <sub>1</sub>	d <sub>2</sub>	h <sub>1</sub>	h <sub>2</sub>	L	L <sub>1</sub>	L <sub>2</sub>	D	H
RUS 20M	20	44	37	30	44	100	34	33	36	72
	<b>weight (g)</b>									
	518									
CODE	d	d <sub>1</sub>	d <sub>2</sub>	h <sub>1</sub>	h <sub>2</sub>	L	L <sub>1</sub>	L <sub>2</sub>	D	H
RUS 25M	25	44	37	30	44	100	28	36	36	114
	<b>weight (g)</b>									
	514									
CODE	d	d <sub>1</sub>	d <sub>2</sub>	h <sub>1</sub>	h <sub>2</sub>	L	L <sub>1</sub>	L <sub>2</sub>	D	H
RUS 32M	32	44	37	30	44	115	22	47	44	120
	<b>weight (g)</b>									
	652									

I rubinetti TORO 25 sono compatibili con tutte le serie di tubi TORO 25  
 All TORO 25 electrofusion fittings are compatible with all TORO 25 pipe series

STANDARD:

- ISO 15874
- DIN 8077-78